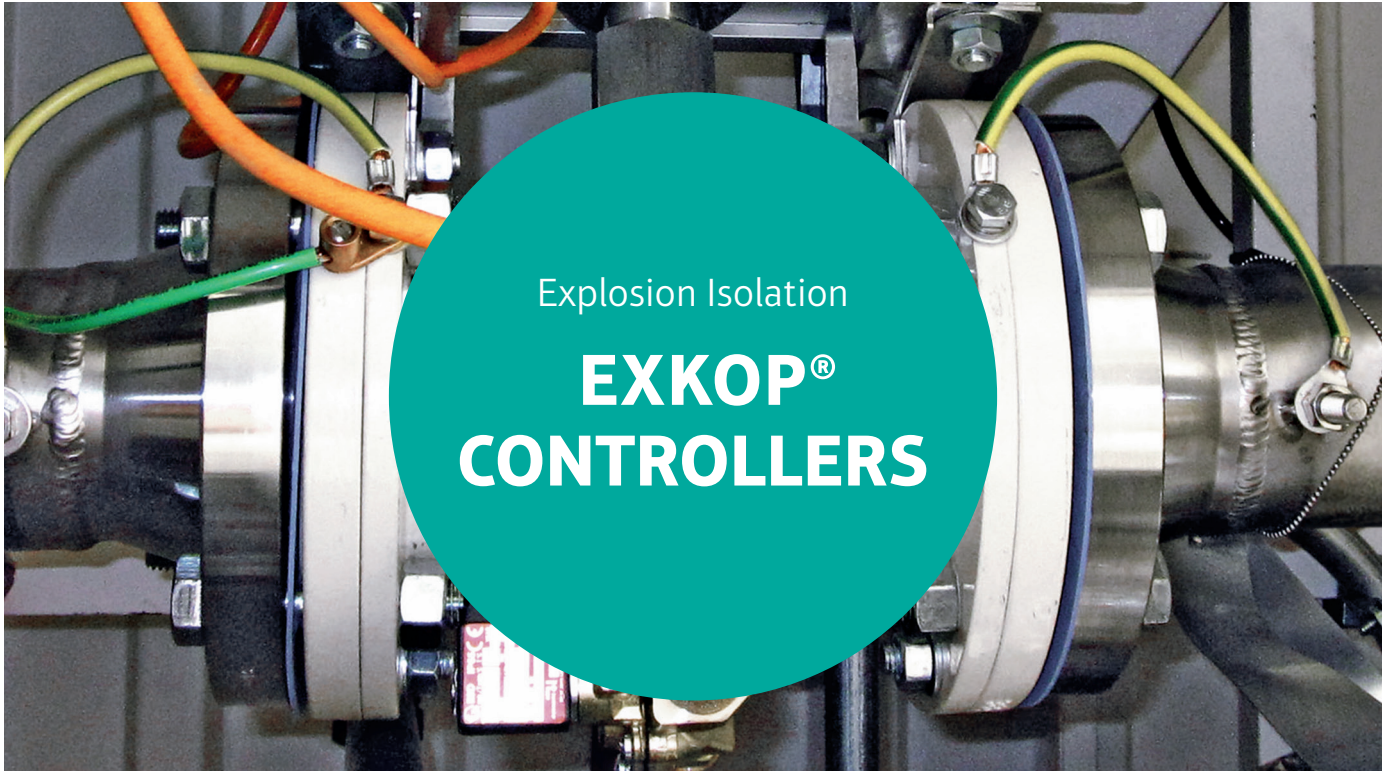




Safety is for life.™

## PRODUCT INFORMATION



## EXKOP® CONTROLLERS FOR VARIOUS ISOLATION SYSTEMS

### Applications

In the event of an explosion, the EXKOP® controllers receive a trigger signal (e.g. from a pressure sensor, IR-Flame detector, or a burst detector on an explosion vent) and activate the connected isolation systems which prevents an explosion from propagating.



ATEX  
EC type examination  
certificate no.  
FSA 04 ATEX 1537 X  
FSA 15 ATEX 1659 X  
GEX 19 ATEX 1003X

### Your advantages

| EXKOP® TriCon                                                                                                                                                                                    | EXKOP® Express                                                                                                                                                                                                                                                                                                                                                                                                                                                                                                     |
|--------------------------------------------------------------------------------------------------------------------------------------------------------------------------------------------------|--------------------------------------------------------------------------------------------------------------------------------------------------------------------------------------------------------------------------------------------------------------------------------------------------------------------------------------------------------------------------------------------------------------------------------------------------------------------------------------------------------------------|
| <ul style="list-style-type: none"> <li>• Fail-safe, compact control center for the QV II Quenchvalve.</li> <li>• Developed for <b>simplified commissioning</b> of small applications.</li> </ul> | <ul style="list-style-type: none"> <li>• <b>One controller for all isolation systems</b> (Quench valves QV II and QV III, Q-Bic™ as well as slide valves RSV and REDEX® Slide).</li> <li>• <b>Self-monitoring safety electronics with operating data storage up to 100.000 events.</b></li> <li>• <b>Compatible with REMBE® iQ.</b></li> <li>• <b>System status and clear messages reported immediately via the touch panel (optional).</b></li> <li>• <b>Online remote access possible (optional).</b></li> </ul> |



NFPA Compliant



iQ Safety Cockpit™

You can find detailed information and contact details for enquiries relating to EXKOP® controllers at [www.rembe.us](http://www.rembe.us). Give us a call on: T +1 704 716 7022 or contact us via email: [info@rembe.us](mailto:info@rembe.us).

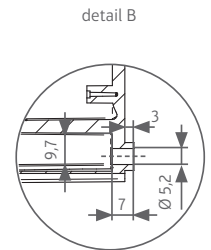
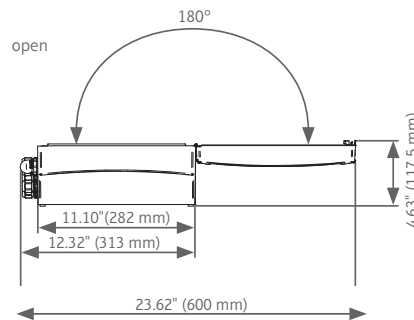
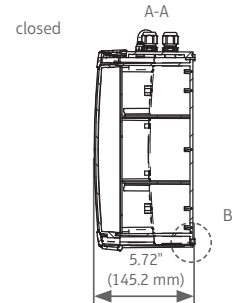
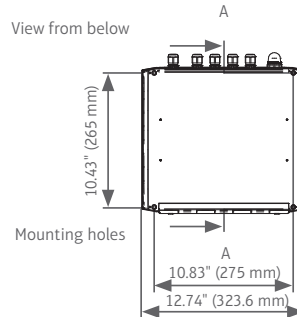
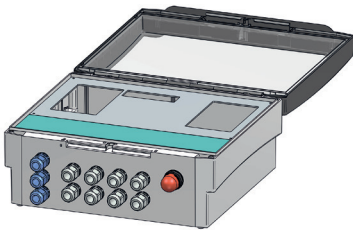




Safety is for life.™

## PRODUCT INFORMATION

### EXKOP® TriCon



#### Technical data\*

|                                             | EXKOP® TriCon                                         | EXKOP® Express                                           |
|---------------------------------------------|-------------------------------------------------------|----------------------------------------------------------|
| EC type examination certificate             | FSA 15 ATEX 1660 X                                    | GEX 19 ATEX 1003X                                        |
| Supply voltage                              | 110 V AC/60 Hz – 230 V AC/50 Hz                       | 110 V AC/60 Hz – 230 V AC/50 Hz**                        |
| Max. no. of connectable detectors (lines)   | 3                                                     | 2 to 36 (x3)                                             |
| Isolation systems                           | QV II                                                 | QV II, QV III, Q-Bic™, RSV, REDEX® Slide                 |
| Max. no. of connectable isolation units     | 3                                                     | Depends on the specific application                      |
| Power consumption                           | ca. 150 W                                             | Depends on the special size                              |
| Potential-free relay contacts               | 4 (max. 250 V, 6A)                                    | from 4 to 64                                             |
| Wire cross-section (fine wire with ferrule) | 0,5 – 0,75 mm <sup>2</sup>                            | 0,5 – 1,5 mm <sup>2</sup>                                |
| Ambient temperature                         | 32–122 °F (0 – 50 °C)                                 | 32–122 °F (0 – 50 °C)                                    |
| Protection type                             | IP 65                                                 | IP 54                                                    |
| ATEX category                               | Zone-free                                             | Zone-free                                                |
| Housing material                            | Polycarbonate housing with lockable transparent front | Sheet steel housing with powder-coated front             |
| Dimensions (W × H × D)                      | ca. 324 × 313 × 145 mm                                | Depending on the number of detectors and isolation units |
| Weight                                      | ca. 4 kg                                              | Depending on the number of detectors and isolation units |
| Remote access                               | -                                                     | optional                                                 |
| Touch Panel                                 | -                                                     | available                                                |



EXKOP® TriCon



EXKOP® Express

\*Our specialists would be pleased to assist you in finding a solution that matches your specific operating conditions.

\*\*Depends on the size of the controller.

Consulting. Engineering. Products. Service.

REMBE® Inc.

9567 Yarborough Road | Fort Mill, SC 29707, USA | T +1 704 716 7022 | F +1 704 716 7025  
info@rembe.us | www.rembe.us